

# SUMP PUMPS

## Model: SPV50

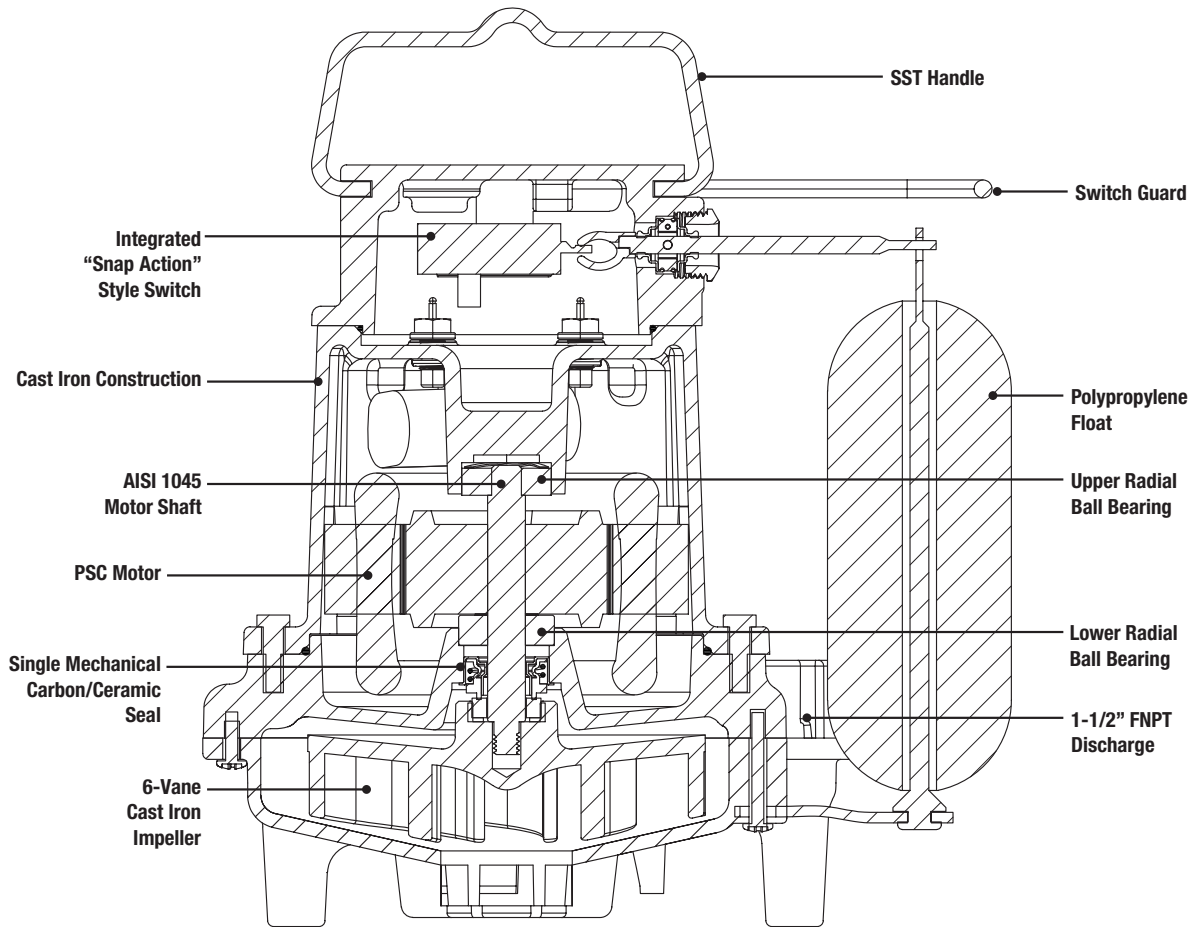


Physical Data:	
DISCHARGE SIZE	1-1/2" NPT
IMPELLER TYPE	6-Vane, Cast Iron
CABLE LENGTH	10'
Liquid Handling:	
SOLIDS HANDLING	1/4"
MAXIMUM LIQUID TEMP.	104°F – Intermittent
ACCEPTABLE PH RANGE	6-8
Temperature:	
MAXIMUM STATOR	120°C
Technical Data:	
POWER CORD TYPE	SJTW
SENSOR CORD TYPE	18/3C
MOTOR HOUSING	Cast Iron
CASING	Cast Iron
IMPELLER	Cast Iron
MOTOR SHAFT	AISI 1045
HARDWARE	SST
"O" RINGS	NBR
MECHANICAL SEALS	Single Mechanical - Carbon/Ceramic
UPPER BEARING	6200
LOWER BEARING	6201 - RS
Electrical Data:	
R.P.M.	1750
MOTOR TYPE	PSC
GEN INSULATION CLASS	B
STATOR WINDING CLASS	B
MAXIMUM STATOR TEMPERATURE	120°C
VOLTAGE TOLERANCE	±10%
HP	1/2
VOLTAGE	115
PHASE	1
SERVICE FACTOR	1
FULL LOAD AMPS	6.5

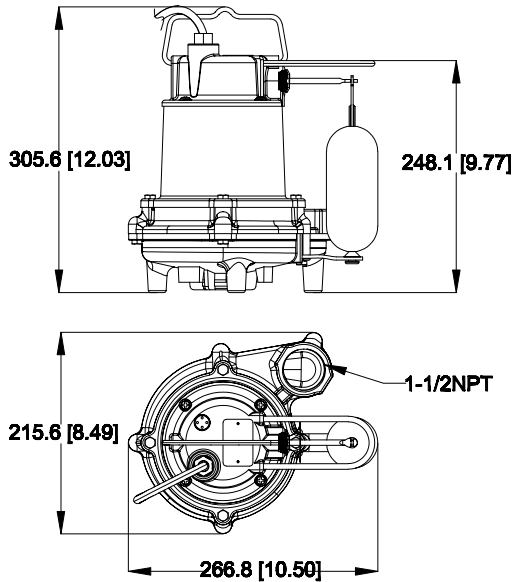
### Specifications

Model	HP	Hz	Volts/Ph	RPM	Full Load Amps	Cord Type
SPV50	1/2	60	115	1750	6.5	SJTW 18/3C

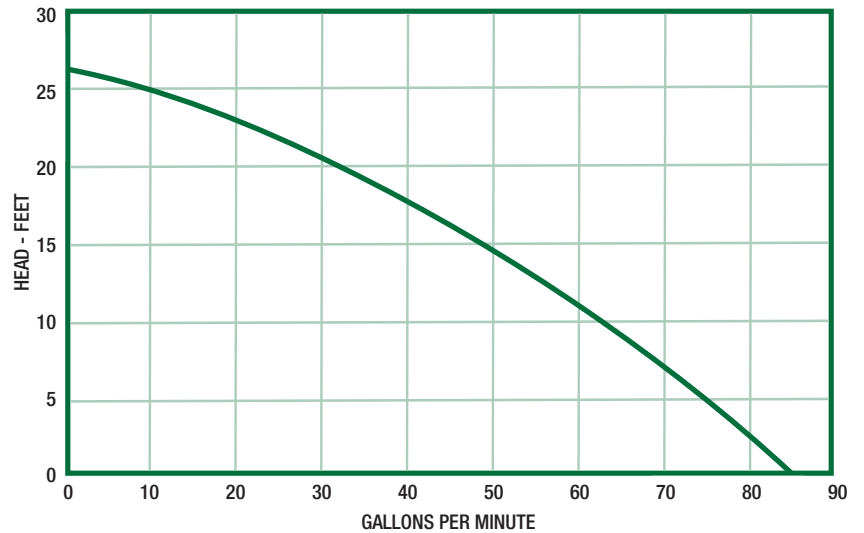
## Features



## Dimensions



## Performance Curve



**Ashland**

P U M P

*Honest, Professional, Dependable*

1899 Cottage Street, Ashland, Ohio 44805

Telephone: 855 281-6830 • Fax: 877 326-1994 • [ashlandpump.com](http://ashlandpump.com)